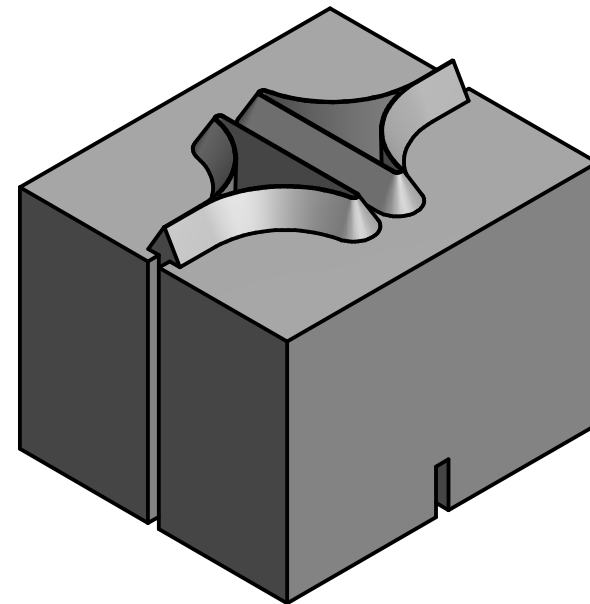


DHS1004-1
 DOUBLE HALF STAR R8,00
 29x25mm, 23,70mm HIGH
 TO SUIT 1mm CUTTING RULE



Stellar Technik
 DHS1004-1 DATA SHEET