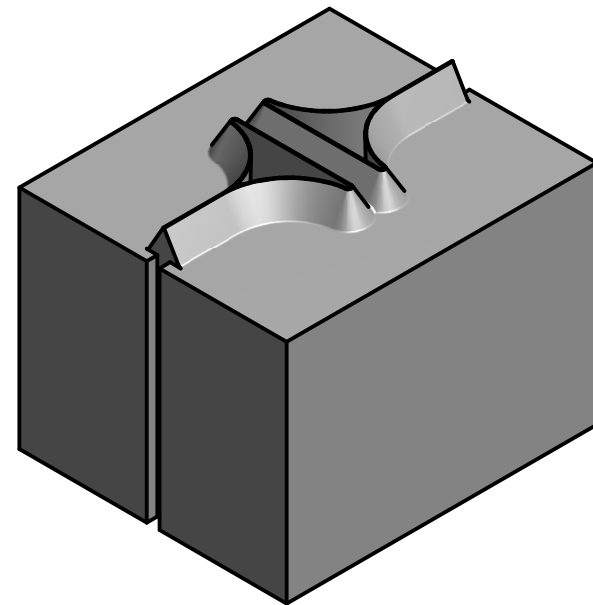


**DHS2925-R6.3**  
DOUBLE HALF STAR R6,30  
29x25mm, 23,70mm HIGH  
TO SUIT 1mm CUTTING RULE



**Stellar Technik**  
DHS2925-R6.3 DATA SHEET